

# INVITATION TO BID



**CITY OF RINGGOLD  
PURCHASING  
P.O. BOX 579  
150 TENNESSEE STREET  
RINGGOLD, GA 30736**

**ITB# 20-003**

**FOR: Total of 154-New Watertight Frames and Covers**

**OPENING DATE: March 4, 2020**

**TIME: 2:00 P.M. EST**

**PLACE: Ringgold City Hall  
150 Tennessee Street  
Ringgold, GA 30736**

## **BID SPECIFICATIONS**

Bidders shall be prepared to give a complete demonstration of the merits of the material offered as directed by the purchaser. The material so demonstrated shall be complete as offered by the bidder for this bid.

Awards will be made to the best responsible bidder as determined by the City of Ringgold. The quality of the articles to be supplied, their conformity with the specifications, their suitability to requirements and delivery terms shall be taken into consideration.

If there are any of these standards in which proposed material does not meet, please provide the description of lacking standard with the materials design standard.

The proposal should include:

**Total of: One-Hundred and Fifty-Four (154) New Heavy-Duty Watertight Frames and Covers**

**Specifications: Same or equal to John Bouchard 1247DM Frame and Cover**

**Frame specifications:**

**36 inches wide**

**7 inches tall**

**4- 1" anchor holes**

**6 gussets w/ 5/8" taper to 3/8"**

**4 threaded points for cover attachment**

**"T" gasket installed in frame**

**Cover specifications:**

**26 inches wide**

**1 1/2 " tall**

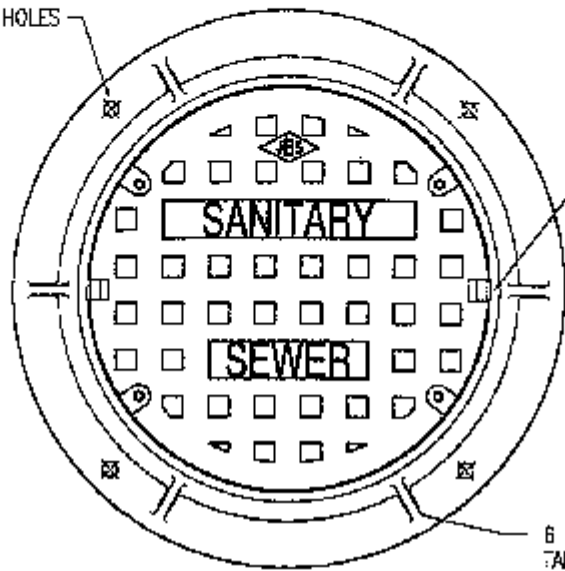
**4 holes matching frame for cover attachment**

**4- stainless steel bolts for cover attachment to frame**

**2 concealed pick slots**

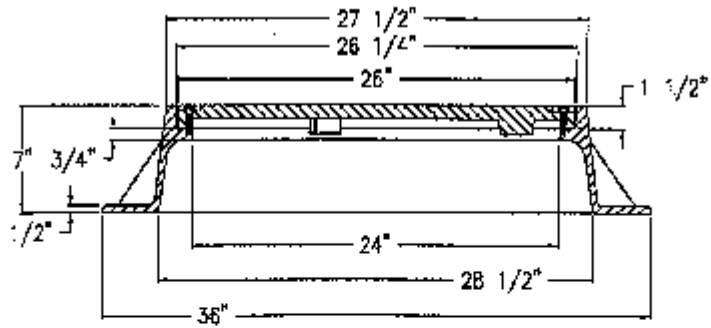
**Casting of Sanitary Sewer on top of cover**

4 - 1" ANCHOR HOLES



2 CONCEALED PICKSLOTS

6 GUSSETS 5/8" TAPER TO 3/8"



"T" GASKET INSTALLED IN FRAME  
BOLT DOWN WATERTIGHT  
HEAVY DUTY, TRAFFIC RATED

<b>John Bouchard &amp; Sons Co.</b> 1024 Harrison Street, Nashville, TN 37203 Tel: 615-256-0112 Fax: 615-327-2427 www.jbouchard.com email: info@jbouchard.com
<b>1247DM FRAME &amp; COVER</b>

## PROPOSAL

We have examined the specifications and agree to furnish the City of Ringgold with the material accordingly. Any deviations from the specifications will be marked exception on the bid sheet.

We propose to furnish City of Ringgold with said material for:

Material manufacture and model proposed:

TOTAL BID COST FORMAT

Purchase Price:                   \$ \_\_\_\_\_

Delivery Date :                   \_\_\_\_\_

COMPLY TO ALL SPECS: \_\_\_\_\_ YES \_\_\_\_\_ NO

ANY EXCEPTIONS ARE TO BE NOTED: \_\_\_\_\_  
\_\_\_\_\_  
\_\_\_\_\_

**Bids shall be submitted in a sealed opaque envelope and shall be marked on the outside with the name of the submitting company, the words “SEALED BID – Watertight Manhole Frame and Covers”.** Any deviation from the requirements set forth for the labeling of the bid envelopes shall result in said bid being returned to the bidder unopened and any such bid shall not be considered.

Sealed bids shall be addressed to the attention of Nicki Lundeen and mailed to the City of Ringgold, P.O. Box 579, Ringgold, GA 30736 or hand delivered to Ringgold City Hall at 150 Tennessee Street, Ringgold, Georgia. All bids shall be received on or before the above designated date and time. Any bid received after this date and time shall not be accepted. Bids shall be typed or submitted in ink. Bids will be opened and read publicly. Bids are legal and binding upon the bidder when submitted.

It is understood that this contract, if accepted by the City of Ringgold, is entered into solely for the convenience of the City and in no way precludes the City from obtaining like goods from other suppliers upon prior approval of the City Manager. Such approval shall be made at the sole discretion of the City of Ringgold and shall be conclusive.

The City of Ringgold reserves the right to accept or reject any or all bids for any reason, to waive technicalities, and to make an award deemed in its best interest. The City of Ringgold shall have the right to delete a unit item from the bid if necessary or proper in the sole determination of the City of Ringgold.

We certify that our bid meets the minimum requirements as specified in bid documents, this \_\_\_\_ day of \_\_\_\_\_.

\_\_\_\_\_  
AUTHORIZED SIGNATURE

\_\_\_\_\_  
TITLE

\_\_\_\_\_  
PRINTED NAME OF SIGNATURE

\_\_\_\_\_  
COMPANY

\_\_\_\_\_  
ADDRESS

\_\_\_\_\_  
CITY/STATE/ZIP CODE

\_\_\_\_\_  
TELEPHONE NUMBER

\_\_\_\_\_  
FAX NUMBER

EMAIL ADDRESS: \_\_\_\_\_

**Contractor Affidavit under O.C.G.A. §13-10-91(b)(1)**

By executing this affidavit, the undersigned contractor verifies its compliance with O.C.G.A. §13-10-91, stating affirmatively that the individual, firm or corporation which is engaged in the physical performance of services on behalf of the City of Ringgold, Georgia has registered with, is authorized to use and uses the federal work authorization program commonly known as E-Verify, or any subsequent replacement program, in accordance with the applicable provisions and deadlines established in O.C.G.A. §13-10-91. Furthermore, the undersigned contractor will continue to use the federal work authorization program throughout the contract period and the undersigned contractor will contract for the physical performance of services in satisfaction of such contract only with subcontractors who present an affidavit to the contractor with the information required by O.C.C.A. §13-10-91(b). Contractor hereby attests that its federal work authorization user identification number and date of authorization are as follows:

\_\_\_\_\_  
Federal Work Authorization User Identification Number

\_\_\_\_\_  
Date of Authorization

\_\_\_\_\_  
Name of Contractor

\_\_\_\_\_  
Name of Project

\_\_\_\_\_  
Name of Public Employer

I hereby declare under penalty of perjury that the foregoing is true and correct.

Executed on \_\_\_\_\_, \_\_\_\_, 20\_\_ in \_\_\_\_\_ (city), \_\_\_\_\_ (state).

\_\_\_\_\_  
Signature of Authorized Officer or Agent

\_\_\_\_\_  
Printed Name and Title of Authorized Officer or Agent

SUBSCRIBED AND SWORN BEFORE ME  
ON THIS THE \_\_\_\_ DAY OF \_\_\_\_\_, 20\_\_.

\_\_\_\_\_  
NOTARY PUBLIC